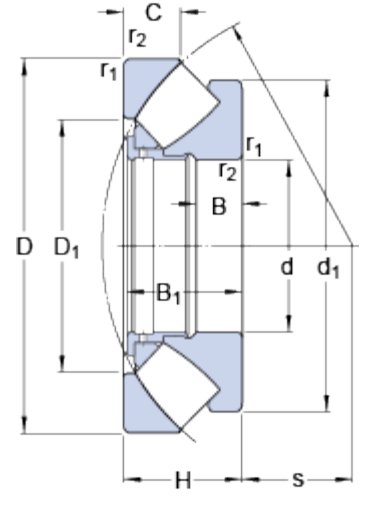




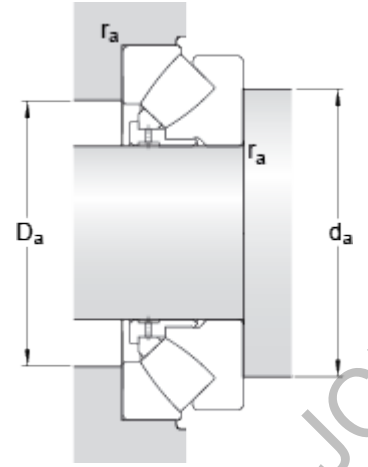
29488

**Dimensions**



|                  |          |    |
|------------------|----------|----|
| d                | 440      | mm |
| D                | 780      | mm |
| H                | 206      | mm |
| d <sub>1</sub>   | ≈ 710    | mm |
| D <sub>1</sub>   | ≈ 577    | mm |
| B                | 77       | mm |
| B <sub>1</sub>   | 199      | mm |
| C                | 101      | mm |
| s                | 257      | mm |
| r <sub>1,2</sub> | min. 9.5 | mm |

**Abutment dimensions**



|                |          |    |
|----------------|----------|----|
| d <sub>a</sub> | min. 605 | mm |
| D <sub>a</sub> | max. 675 | mm |
| r <sub>a</sub> | max. 8   | mm |

**Calculation data**

|                           |                |       |       |
|---------------------------|----------------|-------|-------|
| Basic dynamic load rating | C              | 9000  | kN    |
| Basic static load rating  | C <sub>0</sub> | 32000 | kN    |
| Fatigue load limit        | P <sub>u</sub> | 2320  | kN    |
| Reference speed           |                | 430   | r/min |
| Limiting speed            |                | 750   | r/min |
| Minimum axial load factor | A              | 91    |       |

**Mass**

|              |  |     |    |
|--------------|--|-----|----|
| Mass bearing |  | 410 | kg |
|--------------|--|-----|----|